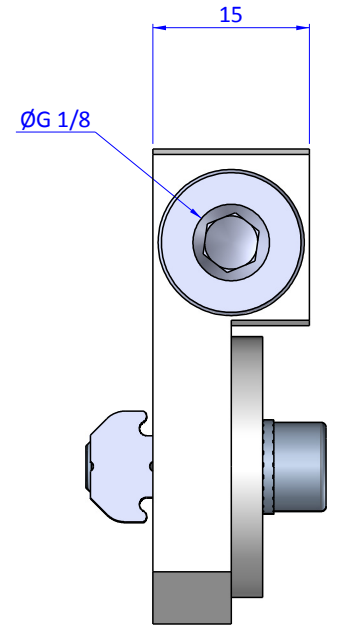
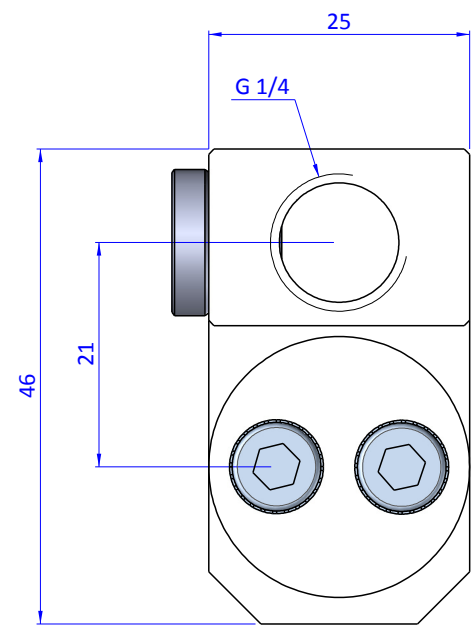
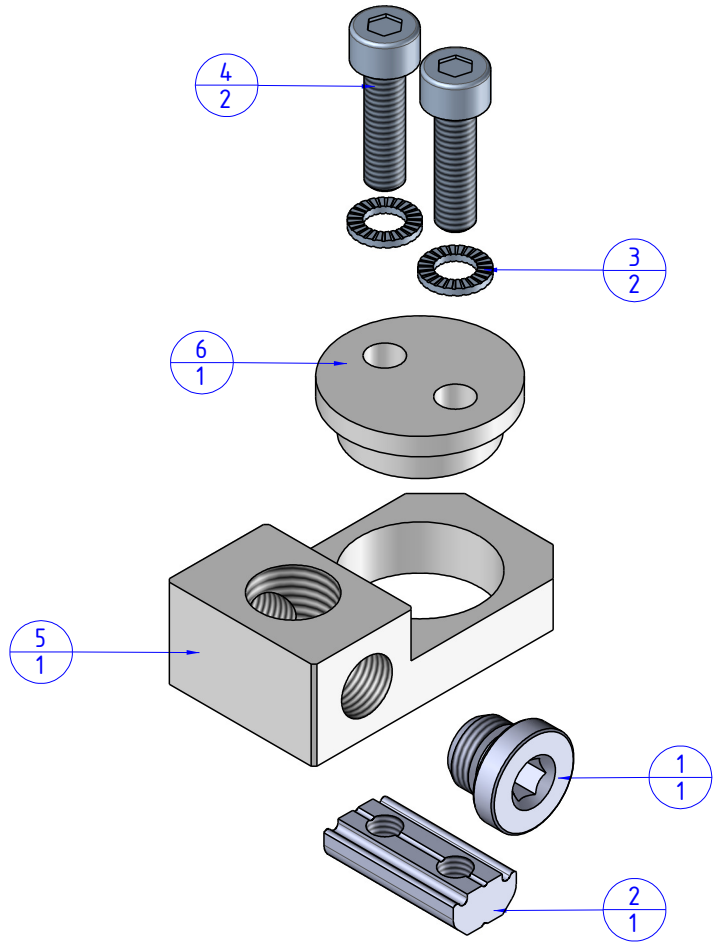


THE PROPERTY OF THE DRAWING IS ESTABLISHED BY LAW. IT IS FORBIDDEN TO PRODUCE OR SHOW IT TO THIRD PARTY, WITHOUT A WRITTEN AGREEMENT.

Item	Name	Q.ty
1	CA.08.14.014	1
2	GWP.5.12	1
3	R.5.SCH	2
4	V.TCE5x18	2
5	WSD.X.14.18	1
6	WST.20.1	1



Format A3  
UNI 936-76

		DESIGNED FROM	REVIEW
		FP SERVICES	A
GENERAL TOLERANCE	DESCRIPTION	DATE	WEIGHT
UNI - ISO 2768	CA.WSD.X.14.18	28/02/2019	0,044Kg
CLASSE f		CODE	CA.WSD.X.14.18